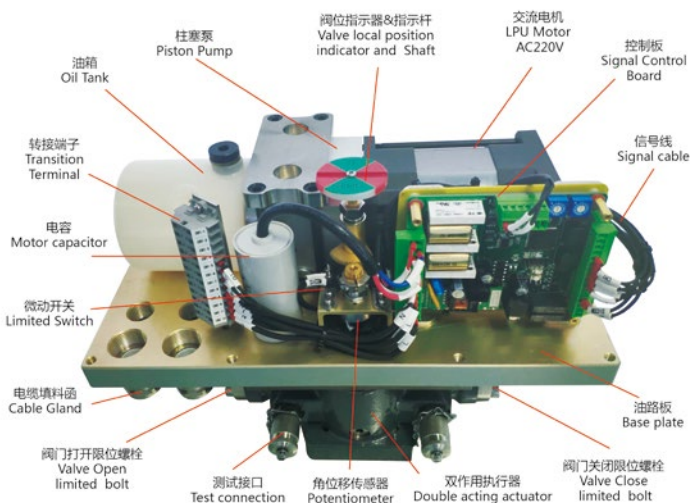


液压微动力单元 Micro Power Unit



1. 总体特性 / Characteristics

安装位置 Installation	任意 Arbitrary
安装方式 Mounting	泵体上螺纹孔 M8 Tapped holes M8 at the bell housing
环境温度 Ambient temperature range	Min -15℃, max +60℃
毛重 Weight (mass)	4 kg

2. 液压特性 / Hydraulic Characteristics

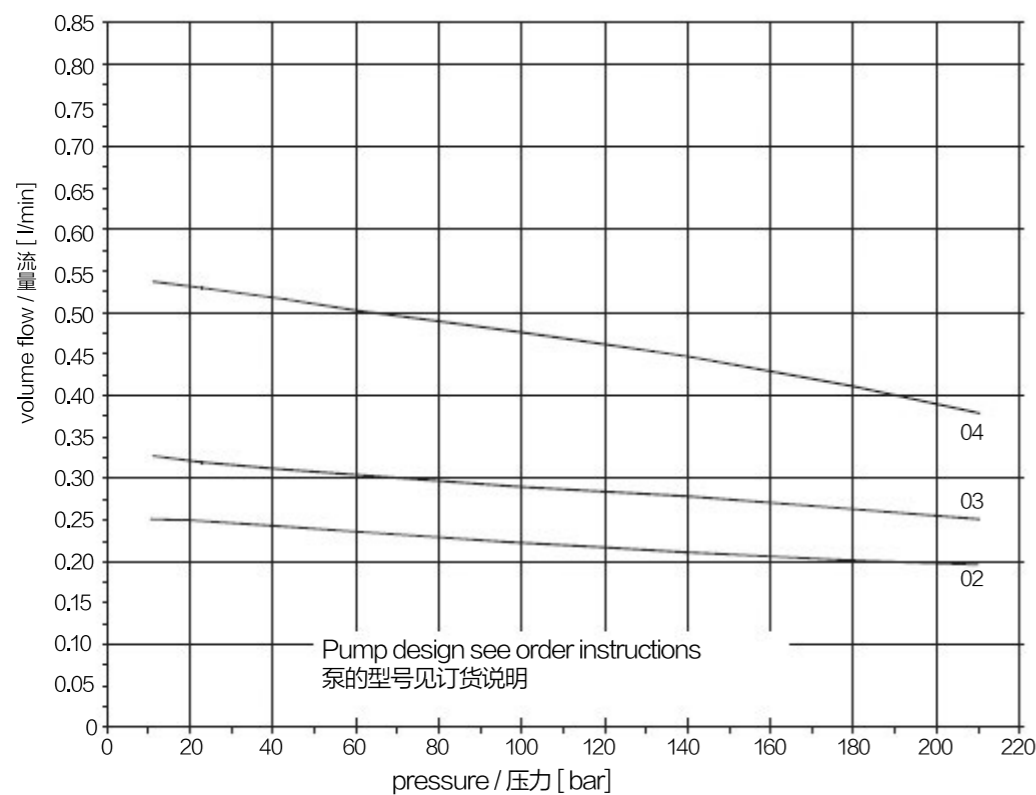
油泵形式: Pump type	径向柱塞泵 Radial piston pump
排量 Displacement	见特性曲线 See characteristic curve
工作压力 Working pressure	见特性曲线 See characteristic curve
最大输出压力 Maxim output pressure	180 bar
能否正反转 Reversing operation	可以 Possible
油箱容积 Tank Volume	0.3L 总容积 Total volume 0.23L 有效容积 effective volume
液压油 Hydraulic medium	矿物油, 符合 DIN 51524 (如使用其他规格的液压油, 请向我们咨询) Mineral oil according to DIN 51524 (other media on request)
液压介质的污染度 Contamination lever for medium	根据标准 NAS1638, 最高 9 级 Max. class 9 in accordance with NAS 1638
液压油温度范围 Hydraulic media temperature	Min = -10℃, max = +70℃
液压油粘度范围 Viscosity range	Min = 10 mm ² /s, max = 100 mm ² /s

3. 电气特性 / Electrical Characteristics

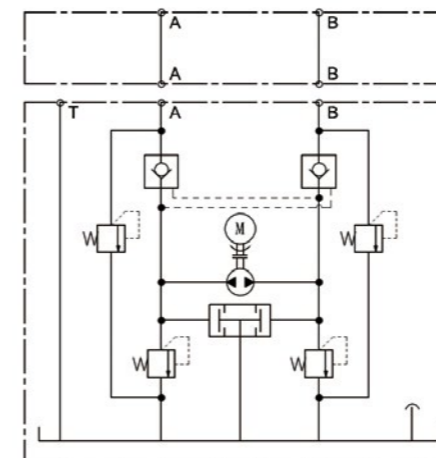
交流电机: Pump Motor	220V AC; 1-phase, 50/60Hz
电机功率 Power	P1 = 300 W
转速 Drive speed	3000 rpm
工作电流 Working current	起始电流: max. 4A 额定电流: max. 1.6A Starting current: max. 4A Norminal current: max. 1.6A
电容 Capacitor	10 uF
承载周期 Duty cycle	间歇运转: S3-10% Interval operation: S3-10%
过载保护 Overload protection	温度开关, 设定温度 140°C Temperature switch opens at 140°C
电气连接 Electrical connection	电缆 Cable with cable end leeves
保护等级 IP Protection	IP40

4. 特性曲线 / Characteristic curves

220VAC, 单相
油液温度+25°C, 粘度46mm²/s, 偏差 ± 5%
220VAC, 1-Phase
Oil temperature +25°C, viscosity 46mm²/s, deviation ± 5%



5. 液压原理图 / Hydraulic Schematic Diagram

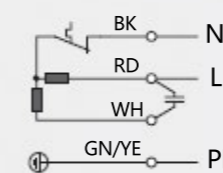


油路板
base plate

液压微动力单元
Micro Power Unit

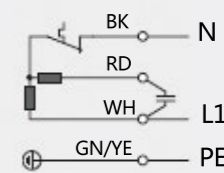
6. 电气对外接口 / Pin Assignment

230 V AC



Drehrichtungsumkehr
Reverse direction of rotation
逆时针方向旋转

Thermischer Wicklungsschutz 140° - intern verdrahtet
Thermal winding cover 140° - internally wired
绕组过热保护 140°



7. 产品型号基本信息 / Production code see basic information

RTLPU

02

S

1

4

A

B

C

D

A 额定容量 2800rpm
Volume flow for 2800 rpm

02 0.2L/min 05 1.1L/min

03 0.3L/min 06 3L/min

04 0.5L/min

注: 05*/06* 请咨询我们 05*/06* On request

C 电机功率
Motor power supply

1 300W@2800rpm

2 400W@2800rpm

3 1100W@2800rpm

B 电机选型
Motor design

A 三相电机
3-Phase motor @380/440VAC

S 单相电机
1-Phase motor @220VAC

D 直流电机
DC motor @24VDC

D 柱塞泵外形尺寸
Boundary dimension of ram pump

4 80 × 80 × 80

5 90 × 90 × 90

6 110 × 110 × 110